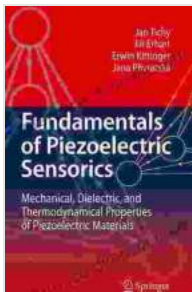


# Fundamentals of Piezoelectric Sensorics: Your Gateway to a Revolutionary Technology

In the realm of modern technology, piezoelectric sensorics stands as a beacon of innovation, providing groundbreaking solutions for a myriad of applications. Its ability to convert mechanical energy into electrical energy, and vice versa, has revolutionized industries ranging from healthcare to aerospace.



## Fundamentals of Piezoelectric Sensorics: Mechanical, Dielectric, and Thermodynamical Properties of Piezoelectric Materials by Jacques I. Pankove

★★★★☆ 4 out of 5

Language : English  
File size : 7594 KB  
Text-to-Speech : Enabled  
Enhanced typesetting : Enabled  
Screen Reader : Supported  
Print length : 375 pages



This comprehensive guide, "Fundamentals of Piezoelectric Sensorics," written by renowned experts in the field, sets out to unlock the mysteries of this fascinating technology. With over 3000 words of in-depth content, this book delves into the core principles, practical applications, and cutting-edge advancements in piezoelectric sensorics.

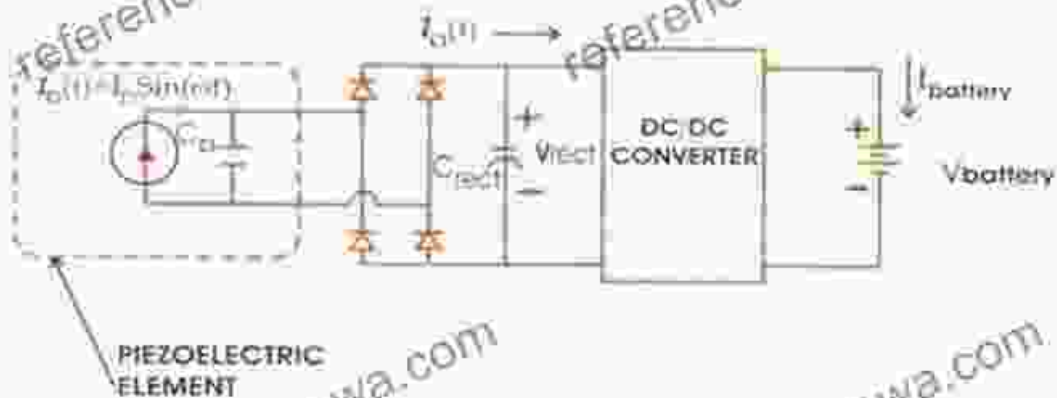


Fig 5: Circuit Diagram

Fig 6: Hardware model



## Chapter 1: The Basics of Piezoelectricity

Begin your journey by understanding the fundamental principles behind piezoelectric materials. Explore the unique properties of these materials that allow them to generate electrical charges under mechanical stress. Delve into the different types of piezoelectric materials, their structures, and their behavior under various conditions.

## **Chapter 2: Piezoelectric Applications in Sensing**

Discover the vast array of applications where piezoelectric sensors are revolutionizing the way we measure and monitor physical quantities. From pressure and force sensors to vibration and acoustic sensors, learn about the practical implementations, design considerations, and performance characteristics of these devices in various industries.

## **Chapter 3: Piezoelectric Actuators and Energy Harvesting**

Explore the dual nature of piezoelectric materials. See how they can not only sense mechanical energy but also convert electrical energy into mechanical motion. delve into the design and applications of piezoelectric actuators, energy harvesters, and their potential impact on fields such as robotics and renewable energy.

## **Chapter 4: Advanced Techniques in Piezoelectric Sensorics**

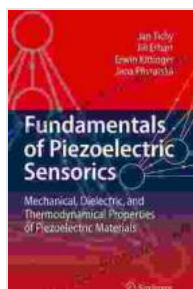
Step into the forefront of piezoelectric sensorics research. Discover the latest advancements in micromachining, nanotechnology, and advanced signal processing techniques that are pushing the boundaries of what is possible with piezoelectric sensors. Explore emerging applications in areas such as biomedical imaging, non-destructive testing, and environmental monitoring.

## **Benefits of Reading "Fundamentals of Piezoelectric Sensorics"**

- Gain a comprehensive understanding of piezoelectric materials and their properties.
- Explore the diverse applications of piezoelectric sensors in sensing, actuation, and energy harvesting.

- Discover advanced techniques and emerging trends that are shaping the future of piezoelectric sensorics.
- Empower yourself with the knowledge to innovate and develop cutting-edge piezoelectric devices.
- Stay at the forefront of this rapidly evolving field and unlock its potential for your research or industry.

Whether you are a student, researcher, engineer, or industry professional, "Fundamentals of Piezoelectric Sensorics" is your essential guide to mastering this game-changing technology. Free Download your copy today and embark on a journey of discovery that will transform your understanding of the world of piezoelectric sensorics.



## Fundamentals of Piezoelectric Sensorics: Mechanical, Dielectric, and Thermodynamical Properties of Piezoelectric Materials

by Jacques I. Pankove

★★★★☆ 4 out of 5

Language : English  
File size : 7594 KB  
Text-to-Speech : Enabled  
Enhanced typesetting : Enabled  
Screen Reader : Supported  
Print length : 375 pages





## Shift Your Perspective, Seize Your Potential, Own Your Story

A Transformative Guide to Living a Life of Purpose and Meaning Are you ready to unleash your true potential and live a life of purpose and meaning? Shift...



## Practical Algorithms For 3d Computer Graphics: Unlocking the Secrets of 3D Visuals

In the realm of digital artistry, 3D computer graphics stands as a towering force, shaping our virtual worlds and captivating our imaginations. Whether you're an aspiring game...